

# FIREMASTER

## PELLET HEATERS



***A Firemaster Wood Pellet Heater is a clean, convenient and environmentally friendly way to heat one's home. With instant heating and push button controls that automatically give the warmth and comfort to combat chilly winter nights.***

Pellet heaters are amongst the cleanest of solid fuel burning appliances currently available with combustion efficiencies above 70% and have very low emissions.

They are designed to burn carbon neutral hardwood pellets made from compacted sawdust. Being made from sawdust these wood pellets have a controlled moisture content and therefore burn more cleanly and have more consistent burn times.

Pellet heaters are also easy to clean. Due to the high burning efficiencies a 15kg bag of Maxiheat pellets can be reduced to about half a cup of ash.

Simply pour the wood pellets into the hopper (pellet bin) located on top of the heater, set the room temperature that you would like and push the start button. Then sit back and enjoy the warmth.

The pellets are loaded into the fire chamber by a corkscrew system known as an auger and a variable speed fan regulates the heat output.

The fan also draws air through the fire chamber ensuring that the fuel to air ratio is optimised for efficient burning. Radiant heat can be felt from the glass which compliments the convection air that is fan forced into the room via the heat exchange tubes.



Unquie to most wood heaters, every part of the operation is automatically controlled. Set the room temperature you want on the thermostat control sit back ready to enjoy clean, environmentally sustainable warmth.

So if you would like to make a difference and enjoy the benefits of efficient home heating, we believe a Firemaster pellet heater could be what you've been looking for.

*The all new range of Firemaster pellet heaters come in three different models for different sized homes. Two freestanding models and one inbuilt model.*

### FMF60

- Freestanding
- Bay Window Design
- 8kW output
- Heats up to 90m<sup>2</sup>
- 23kg Hopper capacity
- Colour: Charcoal
- Model dim: 882.40mm(h) x 599wmm(h) x 626.50mm(d)



### FMF20i

- Freestanding
- Bay Window Design
- 8kW output
- Heats up to 90m<sup>2</sup>
- 23kg Hopper capacity
- Colour: Charcoal
- Model dim: 822.2mm(h) x 1024.4mm(w) x 621.60 mm(d)



### FMF24

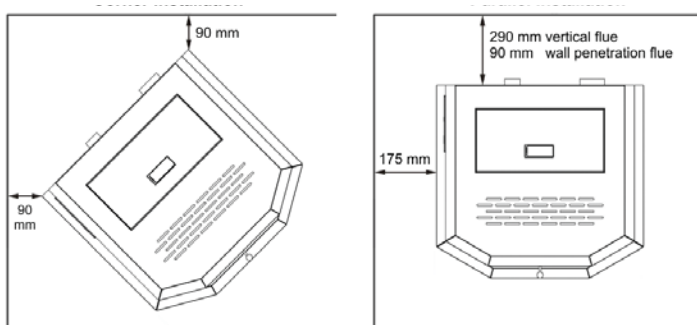
- Freestanding
- Slim European Design
- 6kW output
- Heats up to 80m<sup>2</sup>
- 20kg Hopper capacity
- Colour: Charcoal
- Model dim: 927.7mm(h) x 463mm(w) x 617.1mm(d)



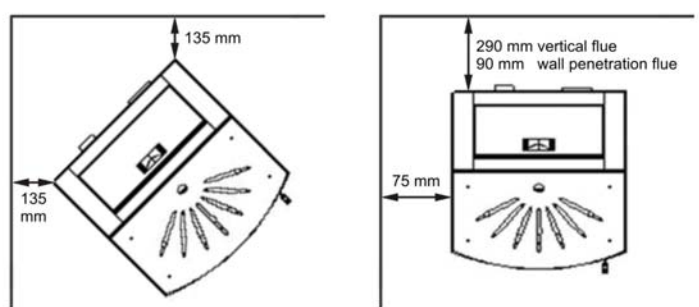
## CLEARANCES

Installation of a pellet heater is similar to that of a wood heater. They need to be placed on a floor protector where heat sensitive- materials are present (ie. carpet). They also have clearances to combustible materials similar to wood heaters. Please refer to the instruction booklet for full details.

### FMF60 Clearances



### FMF24 Clearances



Due to continual product development, the product you purchase may differ slightly from the ones shown here.